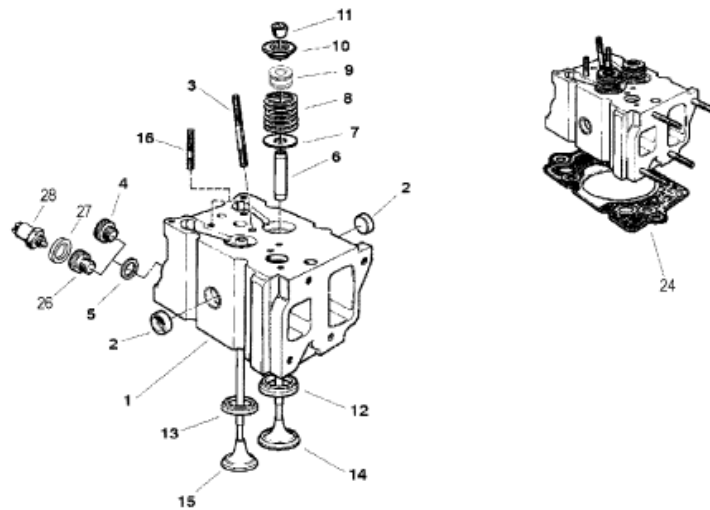
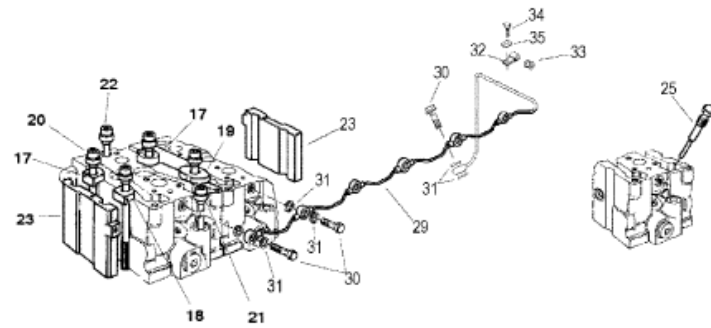


Parts List



15834

Ref	Class	Part	Description	Qty	Comment	Footnote
1		889509	CYLINDER HEAD ASSEMBLY	6		
2	19	811389	PLUG	12		
3	16	854069	STUD, (M8 x 60)	6		
4	10	801763377	PLUG	4		
5	25	809963342	O-RING	6		3
6		854070	VALVE GUIDE, Standard	12		
7		801331752	PLATE, Spring	12		
8	24	811388	SPRING	12		
9	26	854068	SEAL, Oil	12		
10		801331754	CAP, Spring	12		
11		801331755	KEEPER	24		
12		854071	SEAT, Intake	6		
13		854072	SEAT, Exhaust	6		
14		854073001	VALVE	6		
15		854074	VALVE, Exhaust	6		
16	16	854075	STUD, (M8 x 35)	12		
17		801331671	BRIDGE	7		
18		801331673	BRIDGE	2		
19		801331674	BRIDGE	5		
20	10	806685	BOLT, (M14 x 149.5), Center	14		
21	10	806686	BOLT, (M12 x 94.5), Injector Side	6		
22	10	806687	BOLT, (M12 x 127.5), Manifold Side	6		
23	23	881746	SPACER	2		
24	27	877376	GASKET, (1.42mm)	1		
24	27	879678	GASKET, (1.52mm)	A/R		3,4,6
24	27	879679	GASKET, (1.62mm)	A/R		6
24	27	877377	GASKET, (1.42mm)	1		
24	27	879680	GASKET, (1.52mm)	A/R		
24	27	879681	GASKET, (1.62mm)	A/R		
25	19	854080	PLUG	6		
25	33	883874	GLOW PLUG KIT	OPT		6
26	22	880819	ADAPTOR, WATER TEMPERATU	1		
26	22	52382	BUSHING, Water Temperature Ser	1	(DUAL STATION)	
26	22	880819	ADAPTOR	1		
27	25	809963129	WASHER, Water Temperature Ser	1		3
28	87	880820	SENDER, Water Temperature	1	(SINGLE STATION)	
28		49734	SENDER, Water Temperature	1	(DUAL STATION)	
28		881748	SENDER, Water Temperature	1	(KSB)	
29	32	854065	OIL LINE	1		
30	10	811394	BOLT, Banjo	7		
31	25	809963042	O-RING	14		2